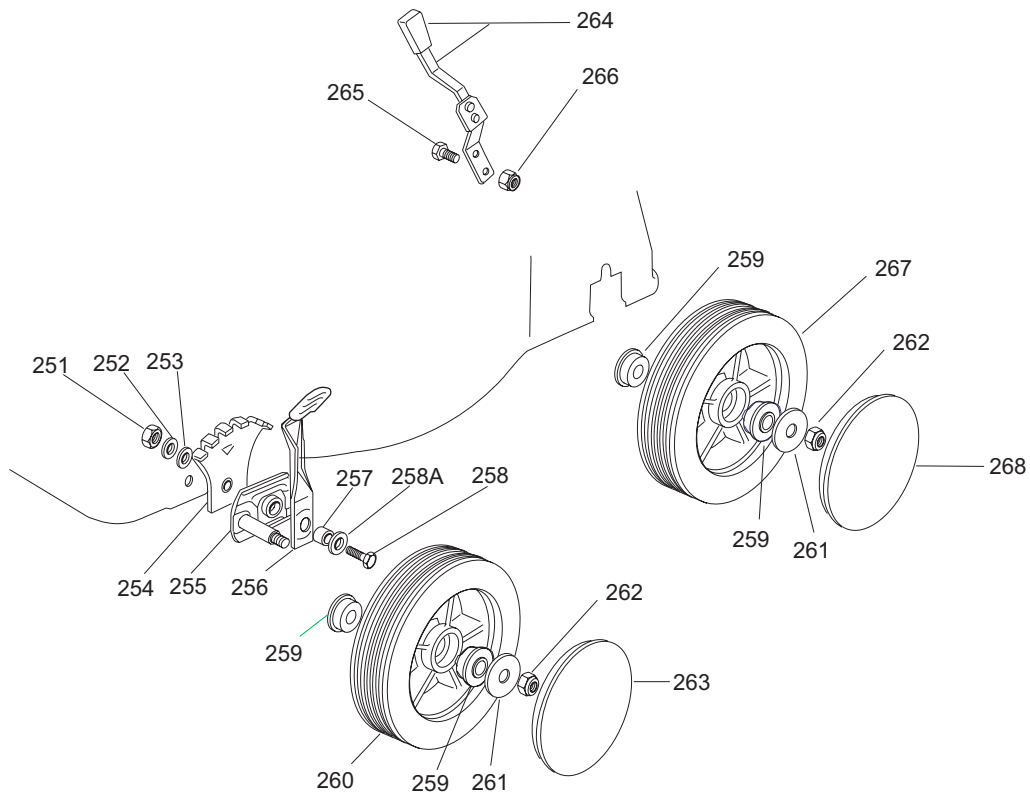
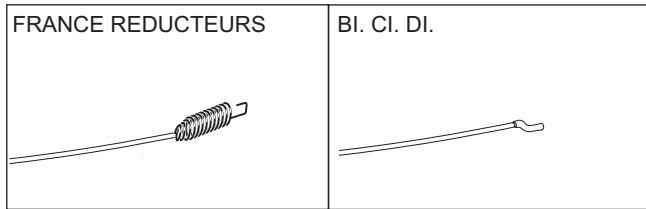
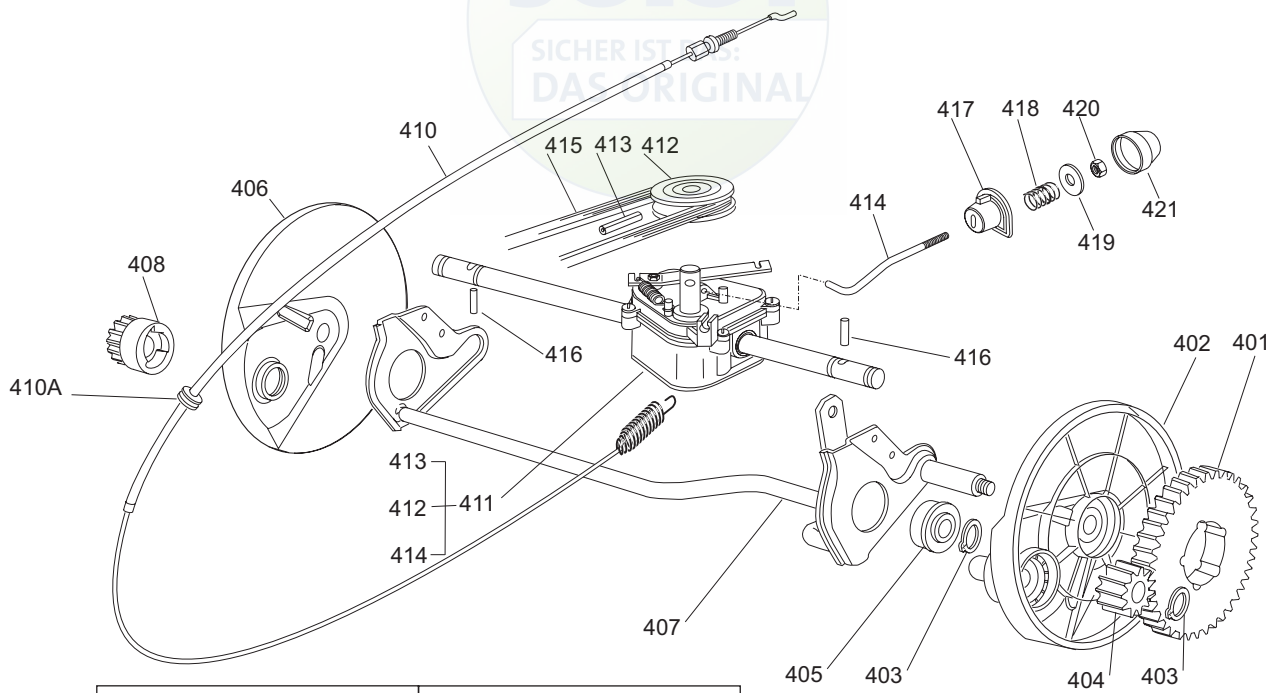


B073A



| Ausgabe<br>Issue<br>2004- 1 |                 | Bild Nr<br>Picture No<br>B073A |  | CMI 51 BA<br>CHASSIE<br>FÜHRUNGSHOLM |                        | CMI 51 BA<br>CHASSIS<br>HANDLE |                          | Seite<br>Page<br>20 |                    |
|-----------------------------|-----------------|--------------------------------|--|--------------------------------------|------------------------|--------------------------------|--------------------------|---------------------|--------------------|
| Pos.<br>Fig.                | Anzahl/Quantity |                                |  |                                      | Artikel Nr.<br>Part No | Bezeichnung                    | Description              | Satz<br>Kit         | Anmerkung<br>Notes |
|                             |                 |                                |  |                                      |                        |                                |                          |                     |                    |
| 1                           | 1               |                                |  |                                      | 1136- 1365- 01         | Chassie- grün.....             | Chassis- green .....     |                     |                    |
| 2                           | 3/2             |                                |  |                                      | 9997- 0830- 16         | Schraube .....                 | Screw .....              |                     |                    |
| 2                           | 0/1             |                                |  |                                      | 9997- 0860- 16         | Schraube .....                 | Screw .....              |                     |                    |
| 3                           | 2               |                                |  |                                      | 9997- 0816- 16         | Schraube .....                 | Screw .....              |                     |                    |
| 4                           | 4               |                                |  |                                      | 1136- 0637- 01         | Buchse.....                    | Bush.....                |                     |                    |
| 5                           | 2               |                                |  |                                      | 9747- 0831- 02         | Mutter.....                    | Lock nut.....            |                     |                    |
| 6                           | 2               |                                |  |                                      | 1136- 0617- 01         | Schraube .....                 | Screw .....              |                     |                    |
| 7                           | 4               |                                |  |                                      | 1136- 0666- 01         | Griff .....                    | Knob .....               |                     |                    |
| 8                           | 4               |                                |  |                                      | 9799- 0831- 02         | Mutter .....                   | Nut .....                |                     |                    |
| 9                           | 1               |                                |  |                                      | 1136- 1194- 01         | Holm- Unterteil .....          | Handle- lower .....      |                     |                    |
| 10                          | 1               |                                |  |                                      | 1136- 0620- 01         | Schraube .....                 | Screw .....              |                     |                    |
| 10A                         | 1               |                                |  |                                      | 1136- 0747- 01         | Schraube m. Öse .....          | Screw w. loop .....      |                     |                    |
| 11                          | 2               |                                |  |                                      | 1136- 0693- 01         | Scheibe.....                   | Washer.....              |                     |                    |
| 12                          | 3/2             |                                |  |                                      | 9739- 0831- 22         | Mutter .....                   | Nut .....                |                     |                    |
| 12                          | 0/1             |                                |  |                                      | 9747- 0831- 02         | Mutter.....                    | Lock nut.....            |                     |                    |
| 15                          | 1               |                                |  |                                      | 1136- 0717- 01         | Motorbremsdraht .....          | Engine brake cable ..... |                     |                    |
| 16                          | 1               |                                |  |                                      | 1136- 0670- 01         | Feder- rechts.....             | Spring- RH .....         |                     |                    |
| 17                          | 1               |                                |  |                                      | 1136- 0686- 01         | Prallblech.....                | Stone guard .....        |                     |                    |
| 18                          | 1               |                                |  |                                      | 1136- 0671- 01         | Feder- links .....             | Spring- LH.....          |                     |                    |
| 19                          | 1               |                                |  |                                      | 1136- 0680- 01         | Pivotachse.....                | Pivot pin .....          |                     |                    |
| 28                          | 1               |                                |  |                                      | 1136- 0763- 01         | Führungsholm- Oberteil .....   | Handle- upper.....       |                     |                    |
| 30                          | 1               |                                |  |                                      | 1136- 0746- 01         | Motorbremshebel .....          | Engine brake lever.....  |                     |                    |
| 34                          | 2               |                                |  |                                      | 1136- 0640- 01         | Buchse.....                    | Bush.....                |                     |                    |
| 37                          | 1               |                                |  |                                      | 1136- 0745- 01         | Antriebshebel.....             | Drive lever.....         |                     |                    |
| 38                          | 2               |                                |  |                                      | 1136- 0639- 01         | Buchse.....                    | Bush.....                |                     |                    |
| 39                          | 2               |                                |  |                                      | 1136- 0682- 01         | Platte .....                   | Plate .....              |                     |                    |
| 40                          | 4               |                                |  |                                      | 9847- 8119- 16         | Schraube .....                 | Screw .....              |                     |                    |
| 41                          | 1               |                                |  |                                      | 1136- 1188- 01         | Riemenschutz.....              | Belt guard .....         |                     |                    |
| 42                          | 1               |                                |  |                                      | 1136- 0615- 01         | Schraube .....                 | Screw .....              |                     |                    |
| 43                          | 1               |                                |  |                                      | 1136- 0603- 01         | Sprengring.....                | Snap ring .....          |                     |                    |
| 44                          | 1               |                                |  |                                      | 1136- 0665- 01         | Gummeinsatz.....               | Rubber insert .....      |                     |                    |
| 46                          | 1               |                                |  |                                      | 1136- 0776- 01         | Schraubensatz .....            | Screw set .....          |                     |                    |
| 201                         | 1               |                                |  |                                      | 1136- 0691- 01         | Schutz .....                   | Protection .....         |                     |                    |
| 501                         | 1               |                                |  |                                      | 1136- 0674- 01         | Nabe m.Scheibe.....            | Hub w. pulley .....      |                     |                    |
| 502                         | 1               |                                |  |                                      | 1111- 9726- 01         | Messer.....                    | Blade .....              |                     |                    |
| 503                         | 1               |                                |  |                                      | 1136- 0083- 01         | Federscheibe .....             | Elastic washer .....     |                     |                    |
| 504                         | 1               |                                |  |                                      | 1136- 0015- 01         | Scheibe.....                   | Washer.....              |                     |                    |
| 505                         | 1               |                                |  |                                      | 1136- 0616- 01         | Schraube .....                 | Screw .....              |                     |                    |
| 506                         | 1               |                                |  |                                      | 9600- 0014- 00         | Keil .....                     | Key .....                |                     |                    |
| 552                         | 1               |                                |  |                                      | 1136- 0676- 01         | Grasskorb- Oberteil.....       | Grass box- upper.....    |                     |                    |
| 553                         | 1               |                                |  |                                      | 1136- 0677- 01         | Grasskorb- Unterteil.....      | Grass box- lower .....   |                     |                    |



B074A



| Ausgabe<br>Issue<br>2004- 1 |                 | Bild Nr<br>Picture No<br>B074A |  | CMI 51 BA<br>RADAUFHÄNGUNG<br>TRANSMISSION |                          | CMI 51 BA<br>WHEEL SUSPENSION<br>TRANSMISSION |             | Seite<br>Page<br>22 |  |
|-----------------------------|-----------------|--------------------------------|--|--|--------------------------|---|-------------|---------------------|--|
| Pos.<br>Fig.                | Anzahl/Quantity |                                |  | Artikel Nr.<br>Part No                     | Bezeichnung              | Description                                   | Satz<br>Kit | Anmerkung<br>Notes  |  |
|                             |                 |                                |  |  |                          |   |             |                     |  |
| 251                         | 2               |                                |  | 9799-0831-02                               | Mutter .....             | Nut .....                                     |             |                     |  |
| 252                         | 2               |                                |  | 9683-0030-02                               | Scheibe.....             | Lock washer.....                              |             |                     |  |
| 253                         | 2               |                                |  | 1136-0014-01                               | Scheibe.....             | Washer.....                                   |             |                     |  |
| 254                         | 2               |                                |  | 1136-0696-01                               | Höhenverstellsektor..... | Wheel adjust sector .....                     |             |                     |  |
| 255                         | 2               |                                |  | 1136-0754-01                               | Radhalter .....          | Wheel support.....                            |             |                     |  |
| 256                         | 2               |                                |  | 1136-0744-01                               | Höhenverstellhebel ..... | Height adjust lever .....                     |             |                     |  |
| 257                         | 2               |                                |  | 1136-0084-01                               | Distanz.....             | Spacer.....                                   |             |                     |  |
| 258                         | 2               |                                |  | 9997-0830-16                               | Schraube .....           | Screw .....                                   |             |                     |  |
| 258 A                       | 2               |                                |  | 9699-0090-02                               | Scheibe.....             | Flat washer.....                              |             |                     |  |
| 259                         | 8               |                                |  | 1136-0634-01                               | Buchse.....              | Bush.....                                     |             |                     |  |
| 260                         | 2               |                                |  | 1136-0768-01                               | Rad.....                 | Wheel.....                                    |             |                     |  |
| 261                         | 4               |                                |  | 9699-0056-02                               | Scheibe.....             | Flat washer.....                              |             |                     |  |
| 262                         | 4               |                                |  | 9747-0831-02                               | Mutter.....              | Lock nut.....                                 |             |                     |  |
| 263                         | 2               |                                |  | 1136-1189-01                               | Radkappe- weiß .....     | Hub cap- white .....                          |             |                     |  |
| 264                         | 1               |                                |  | 1136-0742-01                               | Höhenverstellhebel ..... | Height adjust lever .....                     |             |                     |  |
| 265                         | 2               |                                |  | 9997-0512-16                               | Schraube .....           | Screw .....                                   |             |                     |  |
| 266                         | 2               |                                |  | 9747-0531-02                               | Mutter .....             | Nut .....                                     |             |                     |  |
| 267                         | 2               |                                |  | 1136-0769-01                               | Rad.....                 | Wheel.....                                    |             |                     |  |
| 268                         | 2               |                                |  | 1136-1190-01                               | Radkappe- weiß .....     | Hub cap- white .....                          |             |                     |  |
| 401                         | 2               |                                |  | 1136-0653-01                               | Kranz .....              | Ring gear .....                               |             |                     |  |
| 402                         | 1               |                                |  | 1136-0690-01                               | Radschutz- links .....   | Wheel protection- LH .....                    |             |                     |  |
| 403                         | 4               |                                |  | 9650-0012-04                               | Seegersicherung.....     | Circlip.....                                  |             |                     |  |
| 404                         | 1               |                                |  | 1136-0685-01                               | Ritzel- links .....      | Pinion- LH .....                              |             |                     |  |
| 405                         | 2               |                                |  | 1136-0632-01                               | Lager .....              | Bearing.....                                  |             |                     |  |
| 406                         | 1               |                                |  | 1136-0689-01                               | Radschutz- rechts.....   | Wheel protection- RH.....                     |             |                     |  |
| 407                         | 1               |                                |  | 1136-0713-01                               | Hinterradachse .....     | Rear wheel axle.....                          |             |                     |  |
| 408                         | 1               |                                |  | 1136-0684-01                               | Ritzel- rechts.....      | Pinion- RH.....                               |             |                     |  |
| 410                         | 1               |                                |  | 1136-1360-01                               | Kupplungsdraht.....      | Clutch cable .....                            |             |                     |  |
| X 410                       | 1               |                                |  | 1136-1455-01                               | Kupplungsdraht.....      | Clutch cable .....                            |             | France Reducteur    |  |
| 410 A                       | 1               |                                |  | 1136-0629-01                               | Kabeldurchgang.....      | Fair lead .....                               |             | Bi.Ci.Di            |  |
| X 411                       | 1               |                                |  | 1136-1456-01                               | Getriebe Kpl.....        | Gearbox assy (black) .....                    |             | France Reducteur    |  |
| X 411                       | 1               |                                |  | 1136-1457-01                               | Getriebe Kpl.....        | Gearbox assy (grey) .....                     |             | Bi.Ci.Di            |  |
| 412                         | 1               |                                |  | 1136-0692-01                               | • Riemenscheibe .....    | • Pulley .....                                |             |                     |  |
| 413                         | 1               |                                |  | 1136-0612-01                               | • Stift.....             | • Pin.....                                    |             |                     |  |
| X 414                       | 1               |                                |  | 1136-1454-01                               | • Verstellstange .....   | • Adjustment rod .....                        |             |                     |  |
| 415                         | 1               |                                |  | 1136-0711-01                               | Riemen .....             | Belt.....                                     |             |                     |  |
| 416                         | 2               |                                |  | 1136-0697-01                               | Stift.....               | Pin .....                                     |             |                     |  |
| 417                         | 1               |                                |  | 1136-0638-01                               | Buchse.....              | Bush.....                                     |             |                     |  |
| 418                         | 1               |                                |  | 1136-0668-01                               | Feder .....              | Spring .....                                  |             |                     |  |
| 419                         | 1               |                                |  | 1136-0091-01                               | Scheibe.....             | Washer.....                                   |             |                     |  |
| 420                         | 1               |                                |  | 9747-0631-02                               | Mutter .....             | Lock nut.....                                 |             |                     |  |
| 421                         | 1               |                                |  | 1136-0081-01                               | Nabenkapsel.....         | Hub cap.....                                  |             |                     |  |